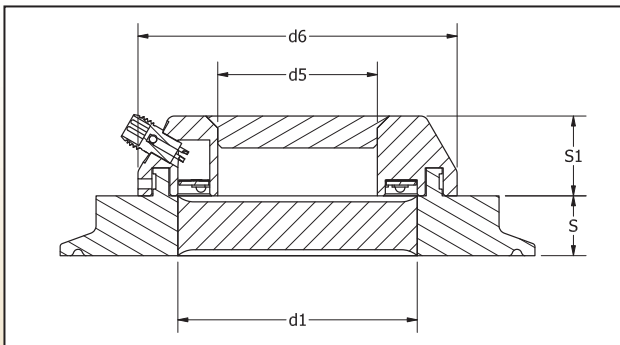


# MetaClamp® with LED Ring for Viewing & Lighting

Data Sheet 03-0030

12/19



The new MetaClamp LED Ring Light Series SGL is a powerful yet compact illumination system for sanitary processing equipment providing illumination and viewing through the same window. This unique combination sight/light glass incorporates the L.J. Star MetaClamp® system with Metaglas® safety windows. They can be used to view the interior of either new or existing sanitary processing equipment.

Metaglas safety windows with the MetaClamp sanitary connection provide the strongest, most secure sanitary viewing option available. Essentially immune to catastrophic failure, these windows are comprised of stainless steel and borosilicate glass, fused together to create a window so uniformly compressed it tolerates both extreme pressure and temperature, serving reliably for years in applications where conventional windows fail repeatedly. Electropolishing available.

Three sizes of the SGL Light attach directly to either a 4", 6" or 8" MetaClamp view port which eliminates separate mounting of the light source. The polished housing is made of 316 stainless steel which is rated NEMA 4X and IP68.

## Application:

Brightly illuminate process vessels for a clear view of processes in the pharmaceutical, bio-tech, brewery and food processing industries. This innovative and compact design mounts directly onto

sanitary ferrules for use in combined sight and light ports (single port). For illuminating bioreactors, mixers, brew kettles, filters and the interior of tanks, hoppers, silos, agitators, separators, pipelines and other, usually closed, containers in non-hazardous areas.

Tube OD	d5	d6	d1	S*	S1	Luminaire	Power	Lumens
2-1/2"	40	80	60	32	20	SGL80	3W	266
3"	40	80	60	34	20	SGL80	3W	266
4"	40	80	60	12	20	SGL80	3W	266
6"	55	95	75	16	20	SGL95	4W	266
8"	70	110	90	18	20	SGL110	5W	399

\*Design for 2-1/2" and 3" slightly different than above drawing.

## The advantages of SGL LED technology:

- Ultra-bright LEDs provide up to 399 lumens (SGL110), equal to a typical 80-Watt halogen light
- Capable of continuous operation
- Cool white output, 5000K color temperature, optimized for stainless steel vessels
- LEDs have long service life and are vibration and impact resistant
- No heat radiation into process vessel (cold light output)

## Protection & Operating Conditions:

- Dust and waterjet tight to NEMA 4X and IP68
- Approved for use in ambient temperatures from 0°C up to +50°C at the cable entry gland.

## Electrical data:

Operating voltage is 24VDC (+/-10%) with continuous current of 10mA. The light is equipped with a 4-pin M8 connector and supplied with a 10-meter power cable (other lengths available). Cable also available with compact 3-minute timer and switch.

For additional information and applications assistance contact:

**L.J. Star Incorporated,**

P.O. Box 1116, Twinsburg, OH 44087

Phone: (330) 405-3040 • Fax: (330) 405-3070

Web Page: [www.ljstar.com](http://www.ljstar.com) • e-mail: [info@ljstar.com](mailto:info@ljstar.com)

