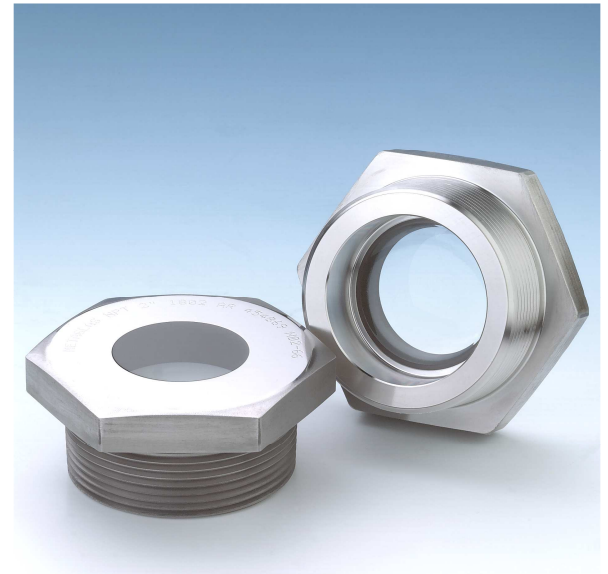
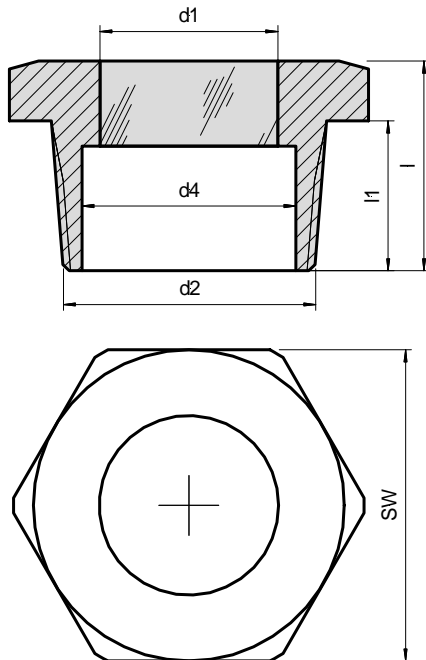


METAGLAS® – Threaded Sightglass – NPT-Thread

Type 61.NPT

Date: April 2016



Metaglas Threaded Sightglass with hexagonal head

For:

- Female connection with NPT or NPTF thread

Advantages:

- Very compact
- High pressure resistance
- Simple assembly
- Long working life

Operating conditions:

- Pressure: 100 bar

Material certificates

Certificate of Conformity to EN 10204-3.1B

Ring materials	Operating temperature
Carbon steel 1.0570	-10°C to +300°C
Duplex stainless steel 1.4462	-30°C to +280°C
Hastelloy C22 (2.4602)	-60°C to +300°C

Technical data:

Manufactured and tested to:

- Directive for pressure equipment 97/23/EG 02/98, Module H (DIN/EN/ISO 9001)
- AD 2000 Standards W0/TRD 100
- Sight glass fused to metal conforming to DIN 7079
- Materials to VdTÜV specifications and the DIN/EN designated standards

Materials:

- Ring material: Carbon Steel (1.0570), Stainless Steel (1.4462) Hastelloy
- Glass: Borosilicate to DIN 7080

d2 Thread	SW	d1	d4	l	l1
1/4" NPT	21	9	9	17	11
3/8" NPT	24	10	12	20	13
1/2" NPT	27	14	16	25	15
3/4" NPT	36	18	20	26	16
1" NPT	41	21	23	34	19
1 1/4" NPT	50	25	30	30	20
1 1/2" NPT	55	30	36	36	24
2" NPT	70	35	44	40	25
3" NPT	100	50	60	55	30