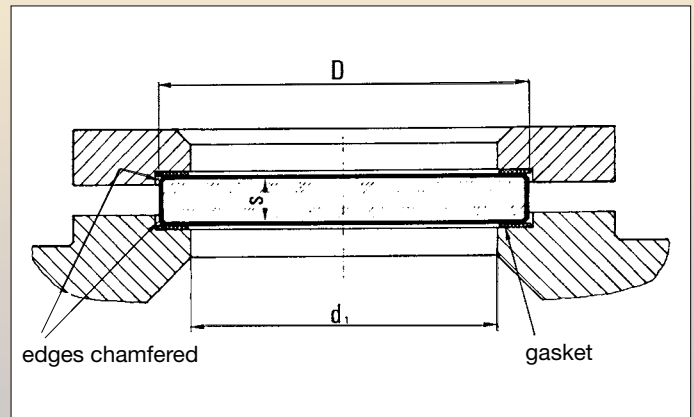


**Circular Sight Glass Disc To DIN 7080 (Borosilicate)  
and DIN 8902 (Soda Lime)**

| Dimensions<br>D x s<br>mm                             | Viewing Diameter<br>d1<br>mm | Nominal<br>Pressure<br>bar |
|---|------------------------------|----------------------------|
| <b>Borosilicate to DIN 7080 - up to 280°C (536°F)</b> |                              |                            |
| 63 x 10   | 48                           | 16                         |
| 80 x 12   | 65                           | 16                         |
| 100 x 15  | 80                           | 16                         |
| 125 x 15  | 100                          | 10                         |
| 125 x 20  | 100                          | 16                         |
| 150 x 20  | 125                          | 10                         |
| 150 x 25  | 125                          | 16                         |
| 175 x 20  | 150                          | 10                         |
| 175 x 25  | 150                          | 16                         |
| 200 x 20  | 175                          | 8                          |
| 200 x 25  | 175                          | 10                         |
| 200 x 30  | 175                          | 16                         |
| 250 x 25  | 225                          | 8                          |
| 250 x 30  | 225                          | 10                         |
| <b>Soda Lime to DIN 8902 - up to 150°C (302°F)</b>    |                              |                            |
| 63 x 10   | 48                           | 16                         |
| 80 x 12   | 65                           | 16                         |
| 100 x 15  | 80                           | 16                         |
| 125 x 15  | 100                          | 10                         |
| 150 x 25  | 125                          | 16                         |
| 175 x 25  | 150                          | 16                         |
| 200 x 25  | 175                          | 10                         |
| 250 x 25  | 225                          | 8                          |
| other dimensions on request                           |                              |                            |



For pressure duties, no low temp limit

Tempered borosilicate or soda lime glass, both sides ground and polished

All dimensions in mm unless stated otherwise  
Subject to change without prior notice

ISO 9001 QA CERTIFICATE  
GERMAN MANUFACTURER:  
F.H. PAPPENMEIER AWARDED QA APPROVAL CERTIFICATE

