



## Full 360° View in Sterile Service

These sterile design visual flow indicators provide operators with a full 360° view of nearly any process pipeline fluid flow while imposing virtually no pressure drop in the line. Electropolished stainless steel heads with a standard SF4 finish are available in sanitary clamp, orbital weld, Swagelok TS, flange, union or special order connection styles.

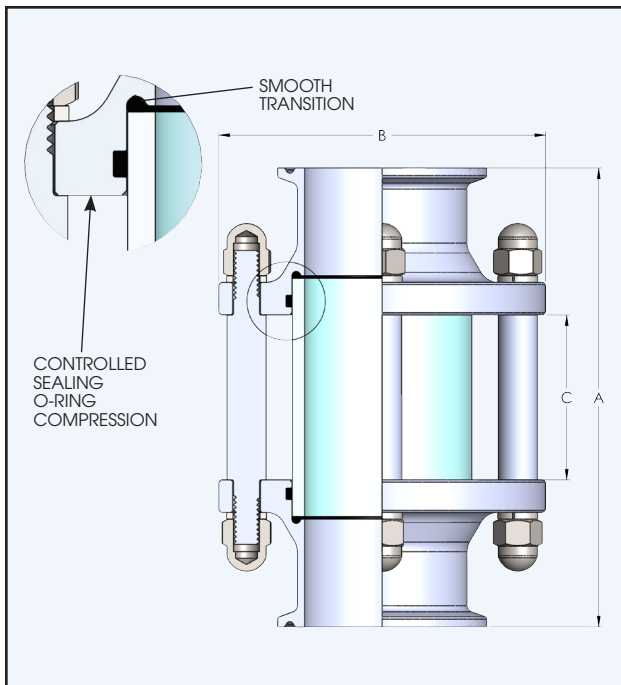
Designed with unique o-ring seals, these sterile units provide a smooth transition between the stainless steel heads and the glass, eliminating any chances of product entrapment. In addition, these units are sterilizable and autoclavable. Precision fasteners between the heads make maintenance easy and over-tightening of the glass and over-compression of the o-ring impossible. Acorn nuts eliminate exposed threads.

The units are rated for working pressures up to 150 psi. Standard material of construction for sanitary service is 316L stainless steel. For corrosive service, Hastelloy®, AL6XN®, Monel®, and Alloy 20 are also available. All seal materials are USP Class VI and FDA compliant. EPDM is the standard o-ring seal material with FEP encapsulated silicone, silicone and Viton® o-rings available as options.

Standard models range in clamp sizes from 1/2 inch to 6 inches. Impact-resistant shields to protect the glass column are optional. Custom designs, lengths and surface finishes are also available.

For additional information and applications assistance contact:

**L.J. Star Incorporated**  
**P.O. Box 1116, Twinsburg, OH 44087**  
**Phone: (330) 405-3040 • Fax: (330) 405-3070**  
**Web Page: [www.ljstar.com](http://www.ljstar.com) • e-mail: [view@ljstar.com](mailto:view@ljstar.com)**



| DIMENSIONS (mm/inches) |        |              |             |             |
|------------------------|--------|--------------|-------------|-------------|
| STD PART #             | TUBE   | A            | B           | C           |
| FVS-A05AA1B            | 1/2"   | 90 (3.54")   | 50 (1.97")  | 28 (1.08")  |
| FVS-A07AA1B            | 3/4"   | 97 (3.81")   | 50 (1.97")  | 34 (1.35")  |
| FVS-A10AA1B            | 1"     | 105 (4.13")  | 70 (2.76")  | 33 (1.30")  |
| FVS-A15AA1B            | 1-1/2" | 105 (4.13")  | 80 (3.15")  | 39 (1.54")  |
| FVS-A20AA1B            | 2"     | 140 (5.51")  | 100 (3.94") | 50 (1.96")  |
| FVS-A25AA1B            | 2-1/2" | 151 (5.94")  | 115 (4.53") | 61 (2.40")  |
| FVS-A30AA1B            | 3"     | 181 (7.12")  | 127 (5.00") | 90 (3.54")  |
| FVS-A40AA1B            | 4"     | 206 (8.11")  | 152 (5.98") | 100 (3.94") |
| FVS-A60AA1B            | 6"     | 254 (10.00") | 214 (8.43") | 150 (5.91") |