

Sight Windows for Hygienic Pad Connections

NA.99

Data Sheet 03-0050

Rev. 04/12



Metaglas® Sightglass for Flush Mount Fitting

For aseptic and sanitary applications, this newly redesigned, flush-mounted sight port from L.J. Star provides clear process visibility and unmatched safety with minimal maintenance requirements.

- Sleek, compact design
- Suitable for pharmaceutical & biotech processing
- Simple & fast installation with no risk of breakage
- Sight glass resistant to catastrophic failure

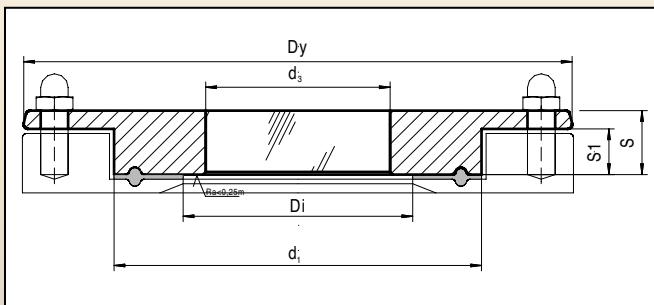
Application:

Sanitary Metaglas to fit flush mount systems. One-piece design provides a cleaner look, fewer bacteria traps, and better runoff after external washdown.

Approvals and Technical Data:

Metaglas®

- USP Class VI (tested to confirm biocompatibility)
- Sight glass fused to metal conforming to DIN7079
- Borosilicate Glass to DIN7080
- Ring material to TÜV specifications and DIN/EN designated standards (Duplex S.S. & Hastelloy®)
- Certificate of Conformity to EN 10204-3.1B or 3.1A
- Standard Surface Finish: 10 Ra μ -in (0.25 Ra μ m)
- Electropolishing available upon request



Flush Mount Fitting

- Weld flange material: 316L SS or Hastelloy®
- Bolting material: 316 SS
- Operating Pressure: 100 PSIG (7 bar)
- Operating Temperature: 392°F (200°C)

Metaglas Ring Material:	Operating Temperature:
Duplex S.S. (1.4462)	-30°C to 280°C (-22°F to 536°F)
Hastelloy C-22 (2.4602)	-60°C to 300°C (-76°F to 572°F)

Std. Tube OD (inches)	d ₁	d ₃	S1	S	Dy	Di
1/2", 3/4"	25.0	13	6	11	55	15.0
1", 1-1/2"	50.5	30	8	14	85	35.5
2"	64.0	35	8	14	100	48.5
2-1/2"	77.5	40	8	15	112	60.2
3"	91.0	45	8	18	131	72.0
4"	119.0	60	8	18	170	97.6

All dimensions are in millimeters unless otherwise noted.



L.J. Star Incorporated, P.O. Box 1116, Twinsburg, OH 44087

Phone: (330) 405-3040 • Fax: (330) 405-3070 • Web Page: www.ljstar.com • e-mail: view@ljstar.com

Light Port for Hygienic Pad Connections

NA.99 w/Light



Metaglas® Light Port for Flush Mount Fitting

For aseptic and sanitary applications, this newly redesigned, flush-mounted light port from L.J. Star provides up to 100 watts of intense illumination through a Metaglas® safety glass lens.

- Sleek, compact design
- Suitable for pharmaceutical & biotech processing
- Simple & fast installation with no risk of breakage
- Glass resistant to catastrophic failure
- Lights are dust and water-jet tight (IP65 & NEMA 4X)
- Lights are available with internal or remote switch for momentary on/off or timer activation

Application:

Sanitary combination of the 316 stainless steel USL 01, USL 33, or USL 35 light and Metaglas® to fit the flush mount system. Two-piece design provides a cleaner look, fewer bacteria traps, and better runoff after external washdown.

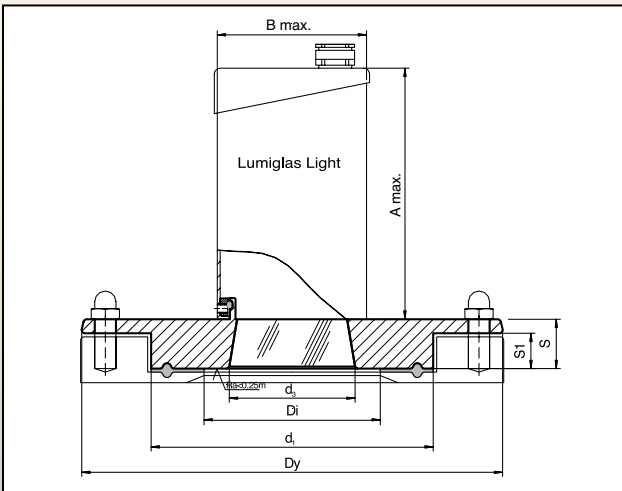
Operating Conditions:

- Temperature: Cable gland on light cannot exceed 194°F (90°C)

*Approvals and Technical Data same as shown for sight port on reverse side.

Lumiglas® Light Options:

- Voltage: 12, 24, 120, 220
- Output: 5W, 20W, 50W, 100W
- Housing: 316 stainless steel or similar
- Bulb Life: Over 2,000 hours
- Power Cable: 3 Meters (other lengths available)
- Dust and waterjet tight to IP65 & EN60529
DIN VDE 0470 part 1, and NEMA4X



Metaglas Ring Material:	Operating Temperature:
Duplex S.S. (1.4462)	-30°C to 280°C (-22°F to 536°F)
Hastelloy C-22 (2.4602)	-60°C to 300°C (-76°F to 572°F)

Std. Tube OD (inches)	d ₁	d ₃	S1	S	Dy	Light	Di	A	B
1/2", 3/4"	25.0	13	6	11	55	USL 01	15.0	71	24
1", 1-1/2"	50.5	30	8	14	85	USL 33	35.5	90	53
2"	64.0	35	8	14	100	USL 33	48.5	90	53
2-1/2"	77.5	40	8	15	112	USL 33	60.2	90	53
3"	91.0	45	8	18	131	USL 35	72.0	130	70
4"	119.0	60	8	18	170	USL 35	97.6	130	70

All dimensions are in millimeters unless otherwise noted.



L.J. Star Incorporated, P.O. Box 1116, Twinsburg, OH 44087

Phone: (330) 405-3040 • Fax: (330) 405-3070 • Web Page: www.ljstar.com • e-mail: view@ljstar.com