

**Lumiglas Luminaire Series USL 05-EX, USL 05-LED-Ex**

**II 2G Ex d IIC T3/T4/T6/120°C**

**II 2D Ex tD A21 IP67 T195/T130/T80/T120°C**

**For mounting on sight glass fittings:**

This compact Explosion Proof sight glass luminaire is designed for universal applications in potentially explosive environments. It is ideal for use in combined sight and light-glass arrangements, either as a single flange version or with two separate flanged ports.

**Compact yet powerful:**

Glare-free illumination; for use with circular weld-type sight glass fittings to DIN 28120 or similar, Flange Bolt-Ons, weld-neck type sight glass fittings MV to DIN 11851, Sanitary Clamp Connections and Visual Flow Indicators.

**Optimal design of threaded front lens ensures max. light efficiency**

**Application:** For illuminating the interior of tanks, hoppers, silos, agitators and other - normally closed - vessels and reactors as well as visual flow indicators in potentially **explosive environments**. **Gas: Zones 1 and 2, Dust: Zones 21 and 22**

Suitable for use in food processing industries.

**Protection:** IP 65 and IP 67 to DIN EN 60529

**Operating conditions:**

Independent of the internal pressure/vacuum in vessel. Under no circumstances should a sight glass luminaire be used to close a vessel port or replace the cover flange or the sight glass/ luminaire assembly.

**Lumiglas luminaires of this series are approved for use in ambient temperatures of up to 60°C, depending on the lamp bulb fitted.**

**Technical data Ex protection:**

This luminaire meets the essential safety and health requirements which comply with the regulations for

**a) Gas**

EN 60079-0: 2006 General Requirements  
EN 60079-1: 2007 Flame-proof Enclosures  
Explosion group: IIC (includes IIA und IIB)  
Temperature Class: T3/T4/T6/120°C (depending on wattage)

**b) Dust**

EN 61241-0: 2006 General Requirements  
EN 61241-1: 2004 Protection by Enclosures  
Temperature Class: T195/T130/T80/T120°C (depend. on wattage)

**Certification:** EC Type-Examination Cert. BVS 08 ATEX E 133 II

**2G Ex d IIC T3/T4/T6/120°C**  
**II 2D Ex tD A21 IP67 T195/T130/T80/T120°C**

**Voltage:** Alternating/direct current, depending on lamp

**Operating voltage:**

**Without integrated transformer:**

12 V... Halogen lamp 5 W or 20 W  
24 V... Halogen lamp 20 W  
230 V... LED illuminant 4 W

**With integrated transformer; PTC-protected:**

120 V... Halogen lamp 12 V/5 W  
230 V... Halogen lamp 12 V/5 W

**Efficient lamp replacement thanks to threaded lens cover**

**Connecting cable:** Factory-fitted cable is resin-cast in screwed cable gland for pressure-tight cable entry. Lengths: 2 m (standard), 5 m or 20 m



Lumiglas luminaire USL 05-LED-Ex



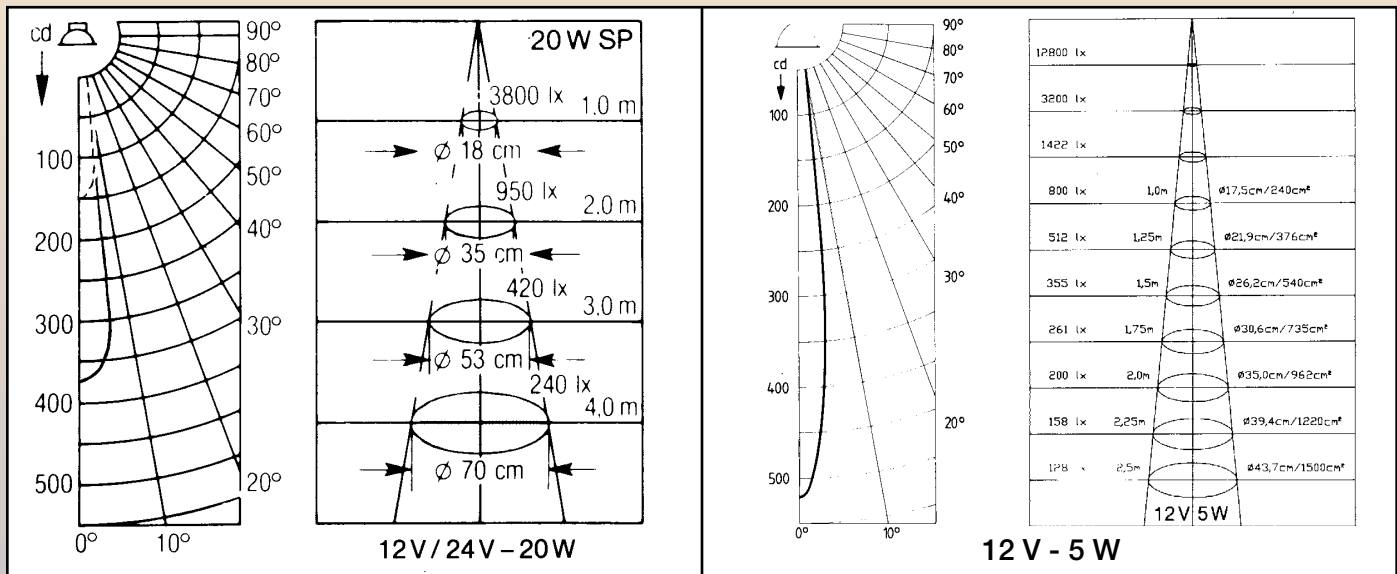
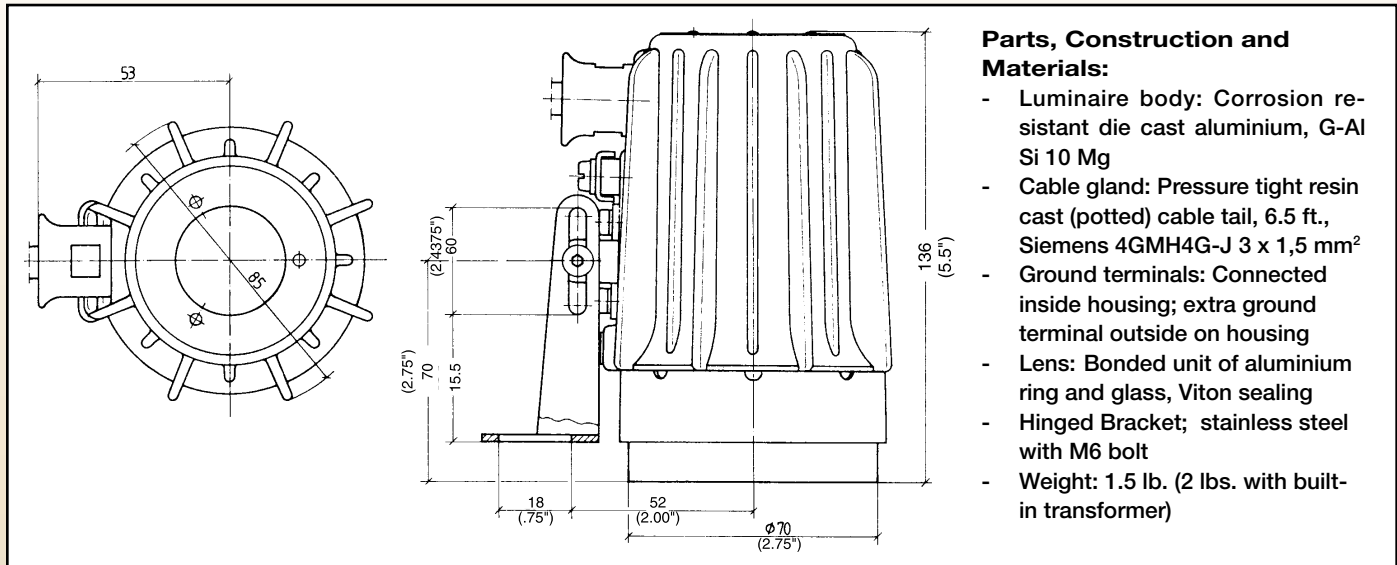
Combination light/sight glass assembly on circular sight glass fitting type DIN 28120; luminaire mounted with hinged bracket

**Simple installation by means of special mounting bracket.**

**Type USL 05-Ex fits the following nominal sizes:**

- Circular sight glass fittings to DIN 28120 size DN25 and larger
- ANSI/DIN Bolt-On size 2"/DN25 and larger
- Weld-Neck type MV (DIN11851) size DN65 and larger
- Sanitary Clamp Connection size 1" and larger
- Visual Flow Indicators size 1" and larger

## Dimensions and Connection Data for Lumiglas Luminaire type USL 05-EX



Light spreading (cd) and illumination grade (lx)

Item	Lumiglas Luminaire Model USL05-Ex	Net Volt	Integral Transformer	Halogen Lamp			Temperature class at max. ambient temp.			
				Socket	Voltage	part no.	G 40°C	D 40°C	G 60°C	D 60°C
1	(12 V) 5 W	12 ≈	No	G4	12 V/5 W	05E0-A1ANAN0N	T6	T80°C	T4	T130°C
2	(120 V/12 V) 5 W	120~	Yes	G4	12 V/5 W	05E0-A3ANAN0N	T6	T80°C	T4	T130°C
3	(230 V/12 V) 5 W	230~	Yes	G4	12 V/5 W	05E0-A4ANAN0N	T6	T80°C	T4	T130°C
4	(12 V) 20 W	12 ≈	No	G4	12 V/20 W	05E0-A1CNAN0N	T4	T130°C	T3	T195°C
5	(24 V) 20 W	24 ≈	No	G4	24 V/20 W	05E0-A2CNAN0N	T4	T130°C	T3	T195°C
6	(230 V) 4 W-LED	230 ≈	No	GZ10	230 V/4 W	05E0-A4KNAN0N	-	-	T6	T80°C

### Ordering Information:

Please state for example: Lumiglas luminaire USL 05-EX, 24V/20W, PN: 05E0-A2CNANON



All dimensions in mm unless stated otherwise  
Subject to change without prior notice