

Lumiglas[®] Stainless Steel Luminaire, Series USL 13 & USL 33

For use with sight glass fittings

This super-compact sight port luminaire is applicable for combination view/sight port (single port version) or separate light and sight port (dual-port version) with sight glass styles as follows:

- Circular weld-on sight glass series DIN 28120 starting at DN 25
- Circular sight glass series ANSI Bolt-On starting at 2"
- Visual Flow Indicators starting at size 1/2"
- Circular weld-neck series MV starting at DN 50
- Sanitary clamp connection series MetaClamp[®] starting at 1"

Application:

Optimum for the illumination of bio-reactors, laboratory mixers, filters, boilers, tanks, agitators, separators, pipes and other sealed vessels in locations that are not potentially explosive.

Industries include pharmaceutical, biotech, food and chemical.

Protection:

Dust and waterjet tight to IP 65 per EN 60 529/ DIN VDE 0470, Part 1 and NEMA Types 4 & 4X.

Operating conditions:

Independent of the pressure/vacuum inside the vessel; Maximum allowable ambient temperature at the cable gland is 194°F (90°C).

Under no circumstances must the Lumiglas lamp be used for sealing purposes in a vessel port in lieu of a sight port.

Electrical information:

The Lumiglas lamp comes equipped with a 3 meter connecting cable.

Operating Voltage:

Without built-in push-button:

12 V, 24 V, 120 V Halogen incandescent lamp, 20W
2-pin socket G4

With built-in push-button:

12 V, 24 V, 120 V Halogen incandescent lamp 50W
2-pin socket GY4 6.35

Transformers:

Transformers for 12 or 24 V secondary voltage available upon request.

Built-in momentary push-button on/off switch:

Momentary switches or timers are required for 50-Watt luminaires.

Remote momentary push-button on/off switch:

Ideal when the light cannot be activate from the sight glass location. Incorporated into an IP65 and NEMA 4, 4X enclosure. Please specify cable length.

Internal Timer:

Can be activated by a built-in or remote switch. Allows hands free operation without expensive wiring.

External Timer:

Mounted in a convenient location by the user, this IP65 & NEMA 4, 4X device allows hands free operation and longer bulb life.

Mounting bracket:

The mounting bracket for the lamp (pivoting hinge) is included with M6 bolt. Adapter flange for mounting series MV weld-neck type sight port can be ordered separately.

Sanitary clamp connection:

This light is available with a 1" through 4" sanitary clamp connection utilizing MetaClamp[®] technology. Specify a USL-33 light.

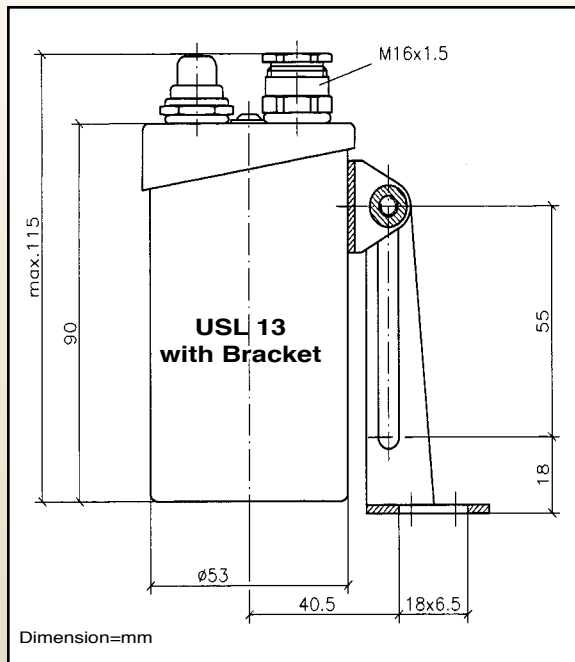


Series USL 13 with stainless steel mounting bracket



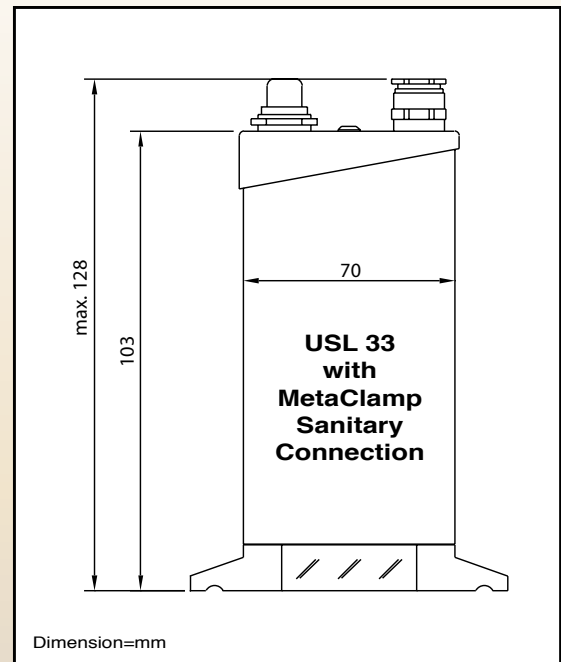
Series USL 33 with MetaClamp[®] Sanitary Clamp Connection

Dimensions for Lumiglas® Luminaire Stainless Steel Series USL13 & USL 33



Parts, Construction and Materials

- Body and Cover: 316 S.S.
- Fastenings: 304 S.S. (Hinged bracket or Adapter Flange)
- Power Cable: 3 meters
- Weight: .58 kg



Connection Data

S.S. Lumiglas Luminaire USL 13 & 33						Replacement Parts		
ITEM	Voltage/ Wattage Options	Push Button	USL 13 Part No.	USL 33 Part No.	Supply Voltage	Halogen Lamp		
						Socket	Type	Part No.
1	(12 V) 20 W	Yes	1300-A1CIANON	3300-A1CINNON	12	GY6.35	12 V/20 W	BLB-L20-GYN
2	(12 V) 20 W	–	1300-A1CNANON	3300-A1CNNNON	12	GY6.35	12 V/20 W	BLB-L20-GYN
3	(24 V) 20 W	Yes	1300-B2CIANON	3300-B2CINNON	24	G4	24 V/20 W	BLB-H20-G4N
4	(24 V) 20 W	–	1300-B2CNANON	3300-B2CNNNON	24	G4	24 V/ 20 W	BLB-H20-G4N
5	(120 V) 20 W	Yes	1300-B3CIANON	3300-B3CINNON	120	BA15D	120 V/20 W	BLB-N20-BA15D
6	(120 V) 20 W	–	1300-B3CNANON	3300-B3CNNNON	120	BA15D	120 V/20 W	BLB-N20-BA15D
7	(12 V) 50 W	Yes	1300-A1FIANON	3300-A1FINNON	12	GY6.35	12 V/50 W	BLB-L50-GYN
8	(12 V) 50 W	–	1300-A1FNANON	3300-A1FNNON	12	GY6.35	12 V/50 W	BLB-L50-GYN
9	(24 V) 50 W	Yes	1300-B2FIANON	3300-B2FINNON	24	GY6.35	24 V/50 W	BLB-H50-GYN
10	(24 V) 50 W	–	1300-B2FNANON	3300-B2FNNON	24	GY6.35	24 V/50 W	BLB-H50-GYN
11	(120 V) 50 W	Yes	1300-B3FIANON	3300-B3FINNON	120	BA15D	120 V/50 W	BLB-N50-BA15D
12	(120 V) 50 W	–	1300-B3FNANON	3300-B3FNNON	120	BA15D	120 V/50 W	BLB-N50-BA15D

Note: USL 13 & 33 lights are not furnished with built-in transformers

Luminaire Mounting

- Hinged Bracket
- 1", 1-1/2" Sanitary Connection
- 2" Sanitary Connection
- 3" Sanitary Connection
- 4" Sanitary Connection

- Part No. 0527.008.00 (included)
- Part No. METACLAMP 1S33 (separate order)
- Part No. METACLAMP 2S33 (separate order)
- Part No. METACLAMP 3S33 (separate order)
- Part No. METACLAMP 4S33 (separate order)

Application Examples:



Series USL 13 with hinged bracket mounted onto a circular sight glass fitting series DIN 28120



Series USL 13 installed on a Series MV using Adapter Flange.

