

Lumiglas® Stainless Steel Mini-Luminaire Series USL 01

For use with sightglass fittings

This super-compact sight port luminaire is applicable for combination view/sight port (single port version) or separate light and sight port (dual-port version).

This powerful super-compact size luminaire is designed to give glare-free illumination with sight glass styles as follows:

- Circular weld-on sight glass series DIN 28 120 starting at DN 25
- Circular sight glass series ANSI Bolt-On starting at 1"
- Visual Flow Indicators starting at size 1/2"
- Circular weld-neck series MV starting at DN 50
- Sanitary clamp connection series MetaClamp starting at 1/2"

External Diameter: 24 mm

Application:

Ideal for lighting internals of small vessels such as bio reactors, laboratory mixers, filters, separators, pressure vessels, miniature tanks, pipelines and other normally enclosed systems in Non Ex hazardous areas.

Primarily intended for the Pharmaceutical, Bio-Tech and Food processing industries.

Protection:

Dust and water jet tight to NEMA 4, NEMA 4X, IP 65, and EN 60 529/DIN VDE 0470 Part 1.

Operating Conditions:

Independent of vessel internal pressure or vacuum; max. permissible ambient temperature 90° C (194° F).

The luminaire should never be used as a closure for means of sealing of a (pressure) vessel (i.e. without a suitable sight glass fitting).

Electrical Data:

The unit is factory fitted with 3 m of connecting cable.

Power Supply:

without integral push button

12 Volt halogen filament lamp 5 W, 2 pin socket G4

with integral push button

24 Volt halogen filament lamp 20 W, 2 pin socket G4

Transformers:

Transformers for 12 V or 24 V secondary voltage can be supplied on request.

Integral Push Button:

The 20 W units come standard with integral push button switch.

Mounting Options:

- Clip on mounting clamp for the Lumiglas-wiper assembly (type SW I).
- Hinged bracket for mounting onto retainers using M5 screws.
- Sanitary clamp connection sizes 1/2" and up using MetaClamp® technology.



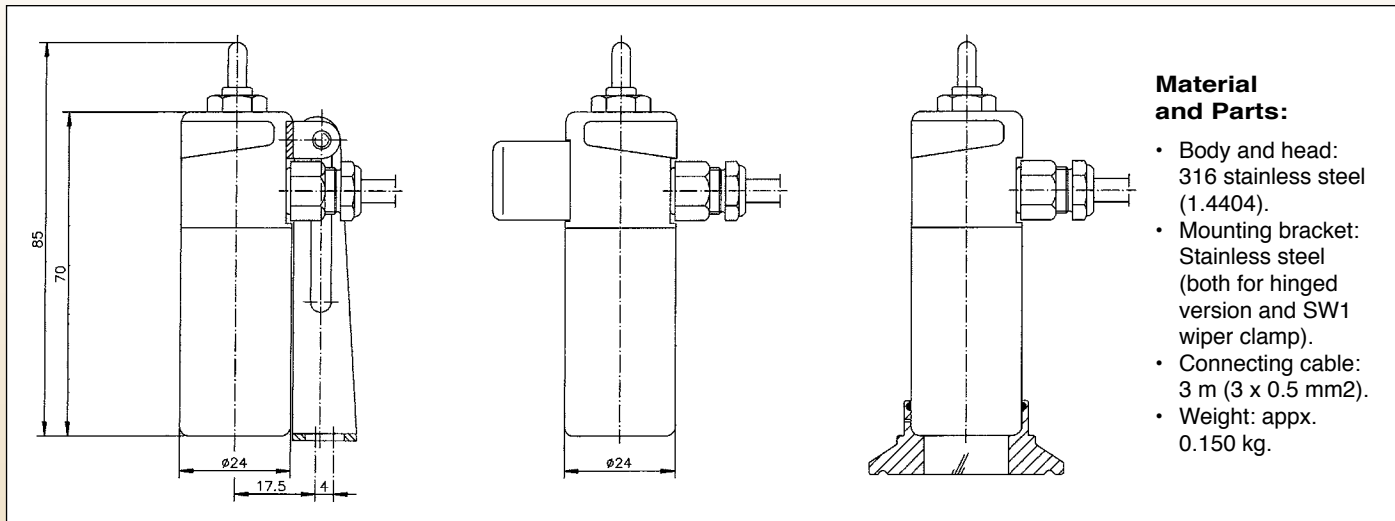
Lumiglas Stainless Steel Mini-Luminaire, Series USL 01 with hinged bracket.



Lumiglas Stainless Steel Mini-Luminaire, Series USL 01 with mounting clamp fitted on a screwed sightglass fitting with Lumiglas sight-glass wiper type SW I.



Dimensions of the Lumiglas Stainless Steel Mini-Luminaire, Series USL 01:



Power Connecting Data:

Lumiglas Luminaire USL 01							
Item No.	Type	Part No.	Voltage	Pushbutton	Voltage/ Wattage	Socket	Part No.
with Mounting Bracket							
1	(12 V) 5 W	0100-A1ANAN0N	12 ≈	without	12 V/5 W	G4	BLB-L5-G4N
2	(24 V) 20 W	0100-A2C1AN0N	24 ≈	with	24 V/20 W	G4	BLB-H20-G4N
with Mounting Clip							
3	(12 V) 5 W	0100-A1AN0N0N	12 ≈	without	12 V/5 W	G4	BLB-L5-G4N
4	(24 V) 20 W	0100-A2C10N0N	24 ≈	with	24 V/20 W	G4	BLB-H20-G4N
for MetaClamp Connection							
5	(12 V) 5 W	0100-A1ANNN0N	12 ≈	without	12 V/5 W	G4	BLB-L5-G4N
6	(24 V) 20 W	0100-A2C1NN0N	24 ≈	with	24 V/20 W	G4	BLB-H20-G4N

Mounting Type:

- Mounting clip (for wiper attachment)
- Hinged bracket (M5 bolt)
- Sanitary clamp connection (MetaClamp)

Ordering Specifications (example):

- Lumiglas Stainless Steel Mini-Luminaire, Series USL 01, bracket, 24 V/20 W with push button, Part No. 0100-A2C1AN0N
- Hinged mounting bracket, mounting clamp or sanitary connection (include connection size)

Example of fastening:



Light port assembly, showing Lumiglas Stainless Steel Mini-Luminaire, Series USL 01, with hinged bracket fitted to weld-neck sightglass (MV 50).



Light port assembly using the Lumiglas Stainless Steel Mini-Luminaire, Series USL 01, with Metaglas Metaclamp.

All dimensions in mm unless stated otherwise. Subject to change without prior notice.

