

Extensive engineering and design have resulted in the highest industry standard for visual flow indicator technology.

Uncompromising levels of quality, safety and technological excellence are standard features in the complete line of L.J. Star Incorporated Standard Flanged Model visual flow indicators.

Description

All standard flanged models in the L.J. Star Incorporated line of visual flow indicators carry full ANSI rating¹ and are available in several application-specific configurations. ANSI designed for 150# or 300# service, flanged units are available in sizes from 1/2" to 8".

Styles

Flanged units are available in five styles designed to accommodate various mounting positions, fluid characteristics, flow rates and directions:

- *Plain Style* - May be installed in any position to observe fluid flow in any direction. These style indicators are usually employed to detect either the presence or absence of solutions, or to observe fluids for turbulence, color or clarity.
- *Drip Tube Style* - This style is well suited for vertical lines with downward flow direction. These units are particularly recommended for applications characterized by low or intermittent flow rates, such as distillation processes.
- *Flapper Style* - Recommended for monitoring either horizontal or vertical lines with upward flow. The flapper position indicates current flow rate. Flapper style indicators are the appropriate choice for use with clear and semi-opaque solutions.
- *Rotator Style* - This style indicator may be installed in any position to indicate flow in any direction. The visibility of rotor motion makes this style particularly well-suited for monitoring clear, translucent or dark solutions.
- *Gaseous Style* - Your answer for monitoring horizontal or vertical upward low velocity fluid streams. The special Teflon[®] indicator is very sensitive to the movement of gas. This allows you to effectively detect the existence or absence of flow.



Standard Flanged Visual Flow Indicator

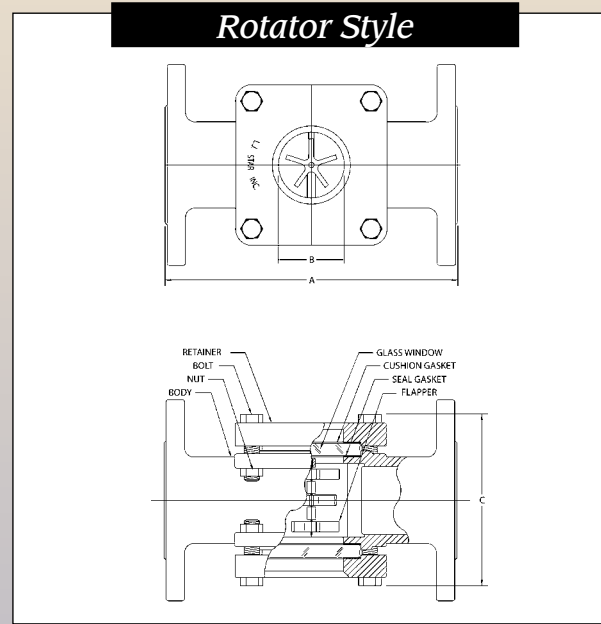
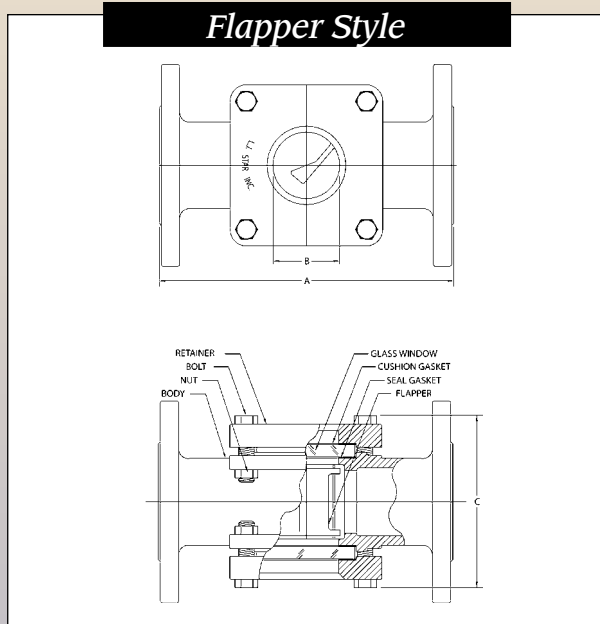
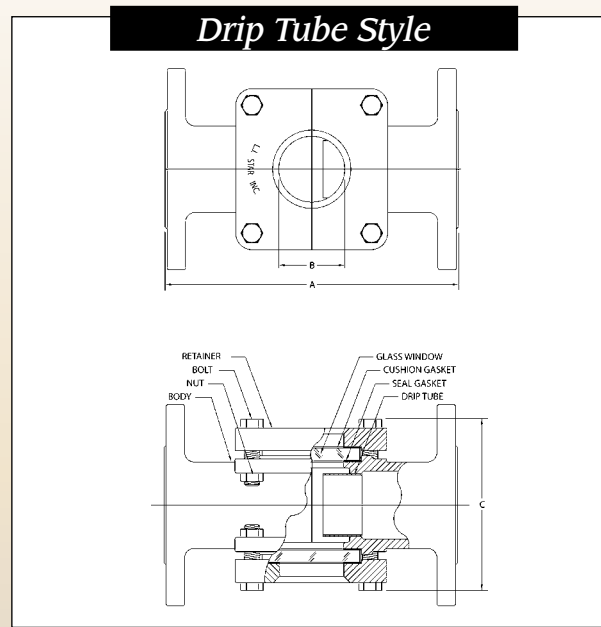
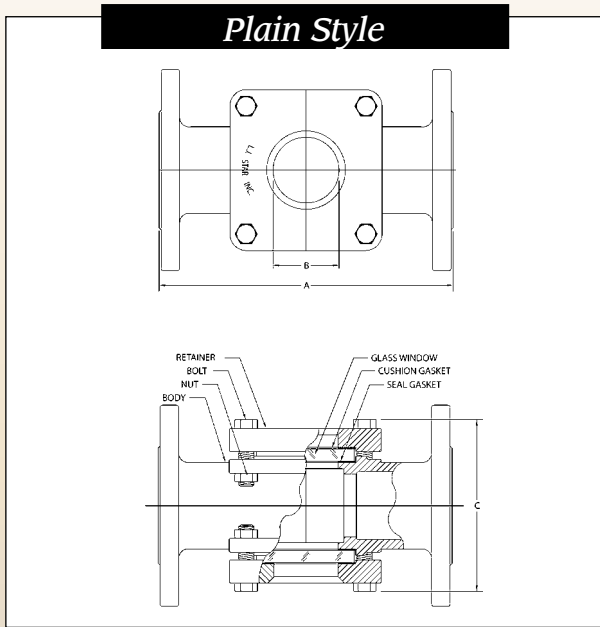
Materials of Construction

- *Standard alloys*
316 Stainless Steel; Carbon Steel
- *Optional alloys*
Monel[®]; Hastelloy[®]; Alloy 20
- *Standard gasket materials*
Neoprene; Gylon[®]
- *Optional gasket materials*
Buna N; Viton[®]; PTFE; silicone, graphite, and non-asbestos gaskets
- *Optional window materials*
Metaglas[®] Prestressed Safety Glass, Quartz

Standard Safety and Maintenance Features

- Full ANSI Class Rating¹
- Independently bolted glass retainers²
- Tempered borosilicate glass
- Investment cast surface finish³
- Acrylic enamel coating (carbon steel unit)
- Cast metal glass retainers
- Stainless steel glass retainers and Gylon[®] gaskets (stainless steel units)⁴
- In-stock delivery

1. Except 8" 150# unit which is nominal ANSI rated 2. 8" 150# units use cross bolts 3. Except 6" & 8" units 4. 6" & 8" units have cast steel retainers



150 psi Standard Flanged Model

300 psi Standard Flanged Model

Pipe Size	Dimension			Approx. Wt. (Lbs.)
	A	B	C	
1/2"	4-5/8"	1-1/4"	4-3/16"	6
3/4"	4-5/8"	1-1/4"	4-3/16"	6
1"	5-5/8"	1-1/4"	4-1/8"	11
1-1/2"	6-1/2"	1-3/4"	5-3/8"	17
2"	7-7/8"	2"	6-1/8"	27
3"	9-3/8"	3-3/16"	7-3/4"	56
4"	11"	4-3/8"	10-5/8"	75
6"	14-1/4"	6-7/8"	12-3/4"	150
8"	16-1/8"	8-1/4"	16-7/8"	230

Pipe Size	Dimension			Approx. Wt. (Lbs.)
	A	B	C	
1/2"	5-7/8"	1-1/4"	4-3/16"	9
3/4"	5-7/8"	1-1/4"	4-3/16"	9
1"	6-7/8"	1-1/4"	4-1/2"	12
1-1/2"	7-1/2"	1-3/4"	5-7/8"	19
2"	8-5/8"	2"	6-3/8"	30
3"	11-3/8"	3-3/16"	8-3/8"	62
4"	13-1/4"	4-3/8"	12-1/4"	84
6"	21-3/8"	6-7/8"	14-3/4"	162
8"	23"	6-7/8"	16-1/4"	250

The specifications contained herein are subject to change without notice and any user of said specifications should verify from the manufacturer that the specifications are currently in effect. Otherwise, the manufacturer assumes no responsibility for the use of specifications which may have been changed

