

Lumiglas Sight glass wiper with flexible drive SW II BW

for use with circular sight glass assemblies to DIN 28120 or similar

Mounting:

By means of pressure tight glands through both base and cover flange of sight glass assembly; suitable for sight glass discs corresponding to DIN 7080 or DIN 8902.

Application:

For manually activated cleaning, when required, of inside face of glass in sight ports. Particularly suitable for pressure and vacuum, vessels requiring test certification both in **explosion hazardous as well as non hazardous** operating areas.

The glass discs fitted into the assemblies correspond to DIN 7080 or DIN 8902 standards.

Suitable for circular sight glass assemblies nominal size DN 100 ... DN 200.

Operating Conditions:

Vacuum tight; pressure tight to 235 psi (16 bar).

Max. permissible temperature: 428°F (220°C) (depending, however, on type of glass disc used).

Possible Combinations:

Combined fittings of Lumiglas luminaire, flame proof or standard design, is possible with the wiper SW II BW, as is the fitting of a spray device.

Certification/Testing:

Test certificates issued by the state material testing authority Nordrhein Westfalen, Dortmund, are available.

Assembly/Materials Alternative for the complete supply:

Wiperblade: PTFE or silicone rubber

All metal product contact parts are of stainless steel

Mechanical drive internal seal: PTFE



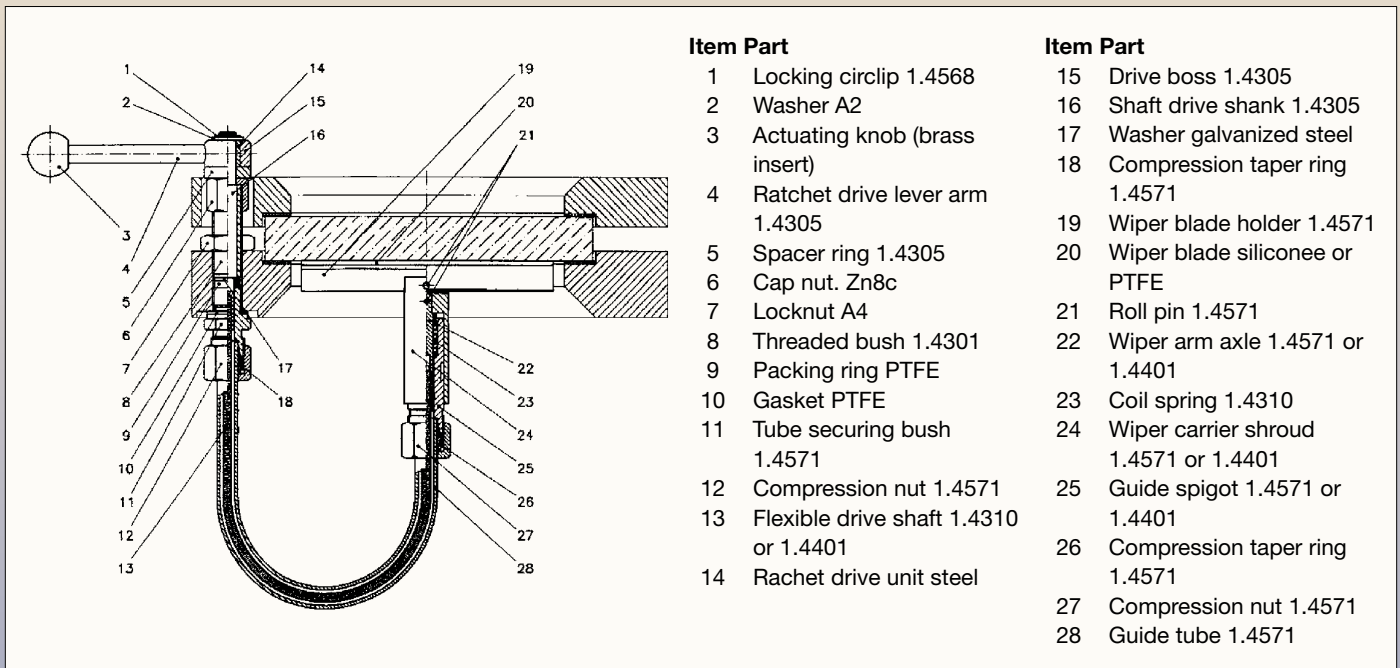
Lumiglas SW II BW mounted into sight glass fitting DIN 28120

Assembly and Installation Instructions:

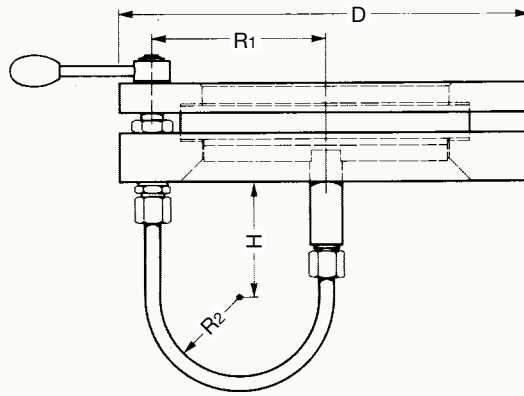
The wiper is actuated by flexible shaft which engages at one end in the wiper blade holder and at the other in a lever operated ratchet drive mechanism which ensures drive shaft is always rotated in same direction.

A separate set of detailed installation instructions is included in the supply.

A complete sight glass assembly with the wiper SW II BW will include the additional machining of the base will be carried out by manufacturer.



Dimensions for Lumiglas sight glass SW II BW:



| Size | | 1 | 2 | 3 | 4 |
|-----------------------|----|-------------|-------------|-------------|-------------|
| nominal bore assembly | DN | 100 | 125 | 150 | 200 |
| for viewing diameter | d1 | 125 | 150 | 175 | 225 |
| flange | D | 220 | 250 | 285 | 340 |
| wiper | R1 | 93 | 105 | 120 | 147.5 |
| | R2 | 41.5 | 47.5 | 55 | 68.75 |
| | H | 80.5 | 70.5 | 86 | 64.5 |
| part number | | 7223.034.00 | 7223.035.00 | 7223.036.00 | 7223.037.00 |

Dimensions in mm. Subject to change without prior notice.

Spares

| Wiperblades | for sizes/DN | length of wiperblade mm | silicone rubber part number | PTFE part number |
|----------------|--------------|-------------------------|-----------------------------|------------------|
| | 1/100 | 115 | 9468.020.00 | 9468.031.00 |
| | 2/125 | 140 | 9468.021.00 | 9468.032.00 |
| | 3/150 | 165 | 9468.022.00 | 9468.033.00 |
| | 4/200 | 215 | 9468.023.00 | 9468.034.00 |
| Flexible Drive | for sizes/DN | part number | | |
| | 1/100 | 9223.014.00 | | |
| | 2/125 | 9223.014.00 | | |
| | 3/150 | 9223.016.00 | | |
| | 4/200 | 9223.014.00 | | |

Order data:

e.g. Lumiglas sight glass wiper type SW II BW, size 3, wiper blade silicone rubber.

If ordering with complete sightport assembly, please give the following additional information:

1. Sight glass assembly (DN/PN), materials
2. Type and size of the sight glass disc (borosilicate/sodalime)

