

Uncompromising levels of quality, safety and technological excellence are standard features in the complete line of L.J. Star Incorporated Bolt-On Sight Windows

### **Description**

Bolt-On Sight Windows consist of a base with raised face flanges to fit a standard ANSI Class 150 flange nozzle. Standard sizes range from 2" to 8". The sight glass is assembled with a gasketed glass retainer held by threaded bolts. L.J. Star sight windows conform to ASTM standards. Lumiglas luminaires are easily mounted to provide lighted sight ports. Spray rings and wipers are also available.

### **Materials of Construction**

- *Standard alloys*  
316 stainless steel; carbon steel
- *Optional alloys*  
Monel®; Hastelloy®; Alloy 20; Duplex
- *Standard gasket materials*  
Gylon 3504
- *Optional gasket materials*  
BUNA N; Viton®; silicone, graphite, PTFE and non-asbestos gaskets



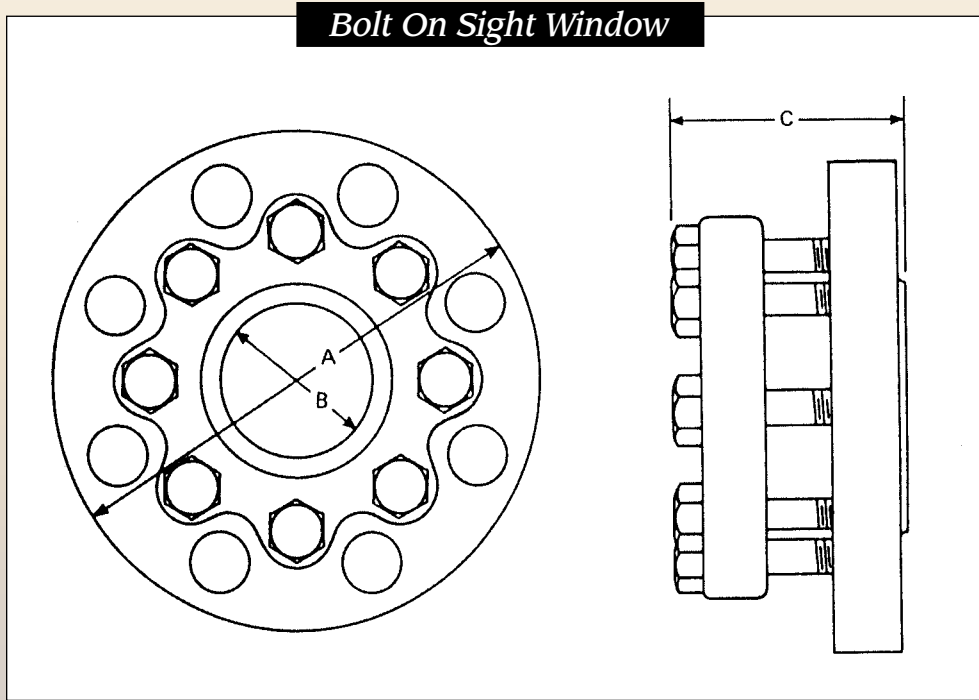
*Bolt-On Sight Window - ANSI Class 150*

### **Materials of Construction**

- *Standard Window Material*  
Tempered borosilicate glass
- *Optional window materials*  
Quartz glass for high temperature and thermal shock
- *Units Full ANSI Rated*
- *Models available with Metaglas® option for high pressure*
- *PFA lining available for added corrosion resistance*
- *Optional glass protection shields*  
Mica and FEP

### **Ordering Information**

Contact your nearest L.J. Star representative



**Bolt-On Sight Window**

Pipe Size	Dimension			Approx. Wt. (Lbs.)	Working Pressure (Psi.)
	A	B	C		
2"	6"	1-1/32"	2-1/8"	7	150
3"	7 1/2"	3-1/16"	2-1/2"	13	150
4"	9"	4-1/16"	2-3/8"	18	150
6"	11"	6-1/16"	2-15/16"	27	150
8"	13-1/2"	8-1/16"	3-15/16"	43	150

The specifications contained herein are subject to change without notice and any user of said specifications should verify from the manufacturer that the specifications are currently in effect. Otherwise, the manufacturer assumes no responsibility for the use of specifications which may have been changed and are no longer in effect.