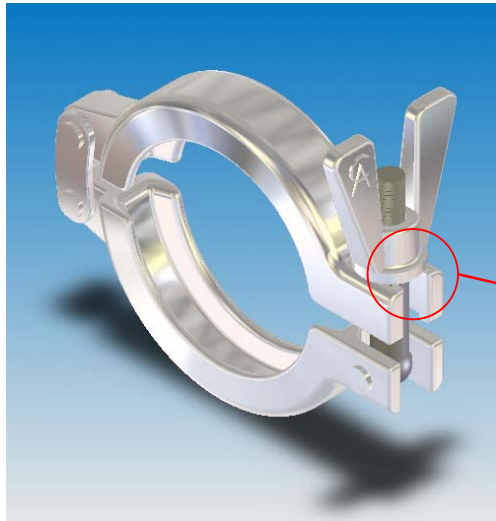




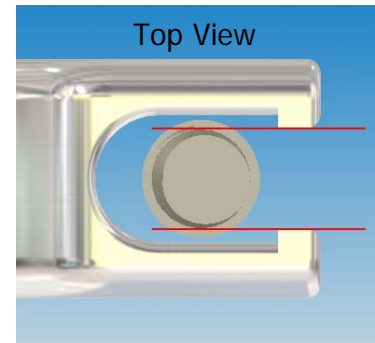
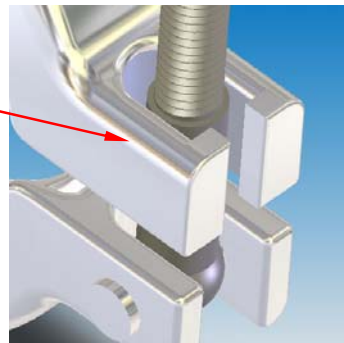
## SAFETY CLAMP

Data Sheet 06-0040 01/07

L.J. Star Incorporated has added to their product range of clamps with the introduction of the SH Style Safety Clamp. Developed using the template of our market leading SH Clamp newly designed and manufactured patented Safety Clamp improves operator safety throughout the industry. It particularly targets hazardous high temperature steam lines.



The 'gate' style section combined with the stepped eyebolt assures the clamp's bolting mechanism cannot swing open while the clamping union is part or fully assembled.



Releasing the clamp is only possible when the wing-nut has been significantly loosened to enable the smaller diameter of the eyebolt to swing and pass through the sectioned gate, this ensures the clamp cannot be knocked or accidentally opened. Complete wing-nut removal is not necessary to open the clamp since the design guarantees the eyebolt cannot swing open while the clamping union is subjected to either clamping forces or internal pressures.



PATENTED

PATENTED

PATENTED

PATENTED