

**Lumiglas Luminaire Series USL 06**

- for use with sightglass fittings -

**Application:**

This compact, powerful luminaire can be used for integral light/sight port (single flange version) or separate light and sight port (dual flange version) to illuminate the internals of visual flow indicators, pipelines, laboratory mixers and other vessels and reactors which are normally closed. This model is intended for use in all Non Hazardous Areas. The unit is suitable for food processing. The luminaire must never be inserted into a vessel wall as a sealing element, i.e. without appropriate sightglass disc and fitting.

**Sightglass Styles:**

This powerful, compact size luminaire is designed to give glare free illumination in combination with sightglass styles as the following:

- circular weld-on model DIN 28120 size DN25 and larger
- circular weld-neck Series MV size DN65 and larger
- circular ANSI or DIN Flange Bolt-on size 1" (DN40) and larger
- visual flow indicators size 1/2" and larger
- sanitary clamp connection size 1" and larger

**Protection:**

Dust and waterjet tight to IP 65, EN 60529, and NEMA 4.

**Ambient Condition Operating Range:**

Normally this unit is suitable for ambient temperatures of 80°C (at the cable gland). The unit is independent of any internal vessel pressure or vacuum. When ambient temperature exceeds 40°C, consult factory when ordering.

**Power supply:**

The unit can be fitted with various halogen lamps, and thus is suited for AC or DC voltage.

- without built-in transformer
  - supply 12 V; halogen lamp 20 W
  - supply 24 V; halogen lamp 20 W, 50 W or 100 W
  - supply 120 V; halogen lamp 35W, 50 W
  - supply 230 V; halogen lamp 50 W
- with built-in transformer
  - supply 230 V; halogen lamp 12 V/20 W

**Lamp sockets:**

see table on following page

**Transformers:**

Separate transformers with 12 V or 24 V secondary voltage are available

**Additions:**

- installation set: stainless steel hinged bracket, or (for use with screwed sightglass fitting MV 65) stainless steel adapter flange
- special claw spanner: for opening/tightening the lens ring
- automatic delay switch: Lumiglas Timer

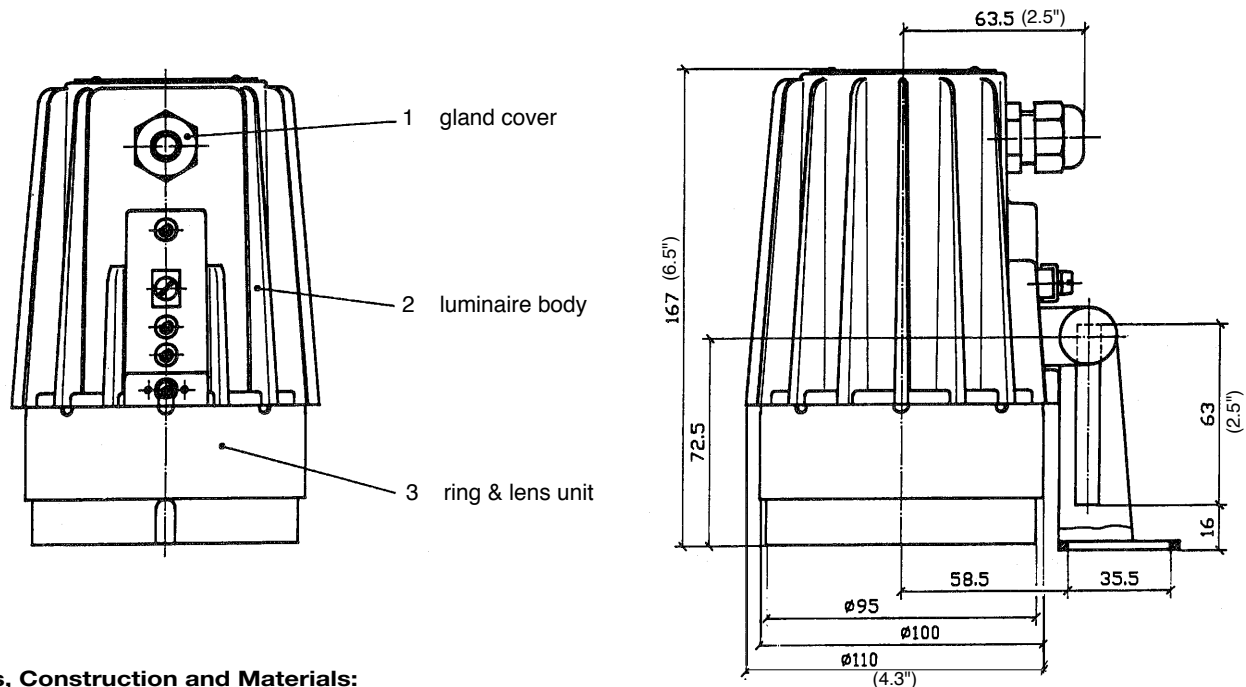


Lumiglas USL 06 with hinged bracket fastening



Lumiglas USL 06 installed on a circular sightglass DIN 28120

## Dimensions and Connection Data for Lumiglas Luminaire type USL 06



### Parts, Construction and Materials:

- Luminaire body: Corrosion resistant die cast aluminium, G-Al Si 12 Mg
- Light window: Unit of aluminium ring, glass, rubber ring seal
- Hinged Bracket: Stainless steel with M8 bolt
- Weight: (3.7 lb.) (ex power supply cable), (5.0 lb.) with built-in transformer

Pos.	Type USL 06		Part Number	Supply Voltage	Built-in Transformer	Socket	Halogen Lamp	
							Power Intake	Part Number
1	12V	20W	0600-A1CNANNN	12	no	GY6.35	12 V / 20 W	BLB L20 GYN
2*	24V	20W	0600-A2CNANNN	24	no	G4	24 V / 20 W	BLB H20 G4
3	230/12V	20W	0600-A4CNANNN	230	yes	GY6.35	12 V / 20 W	BLB L20 GYN
4 <sup>1</sup>	120V	35W	0600-A3DNANNN	120	no	E26	120 V / 35 W	BLB N35 E26S BLB N35 E26F
5 <sup>1</sup>	120V	50W	0600-A3FNANNN	120	no	E26	120 V / 50 W	BLB N50 E26S BLB N50 E26F
6	24V	50W	0600-A2FNANNN	24	no	GY6.35	24 V / 50 W	BLB H50 GYN
7	230V	50W	0600-A4FNANNN	230	no	E27	230 V / 50W	BLB E50 E27
8	24V	100W	0600-A2JNANNN	24	no	GY6.35	24 V / 100 W	BLB H100 GYN

\* Pos. No. 2 has the reflector integrated into the lens and ring unit. All other types have an interchangeable reflector fitted to the halogen lamp socket.

<sup>1</sup> Available in spot or flood. Bulb has built-in reflector. Use in ambient temperature environment less than 100 °F.

**LJSTAR**  
INCORPORATED

P.O. Box 1116 • Twinsburg, OH 44087 Tel.: 330 405 3040 • Fax: 330 405 3070 view@ljstar.com • www.ljstar.com