

**Lumiglas[®] Stainless Steel Luminaire,
Series USL 15 & USL 35**

For use with sight glass fittings

This compact sight port luminaire is applicable for combination view/sight port (single port version) or separate light and sight port (dual-port version) with sight glass styles as follows:

- Circular weld-on sight glass series DIN 28 120 starting at DN 40
- Circular sight glass series ANSI Bolt-On starting at 2"
- Visual Flow Indicators starting at size 1"
- Circular weld-neck series MV starting at DN 50
- Sanitary clamp connection series MetaClamp[®] starting at 1"

Application:

Optimum for the illumination of bio-reactors, laboratory mixers, filters, boilers, tanks, agitators, separators, pipes and other sealed vessels in locations that are not potentially explosive.

Industries include pharmaceutical, biotech, food and chemical.

Protection:

UL 1598 Listed and CSA C22.2 No. 250.0
Dust and waterjet tight to IP 65 and NEMA Types 4 & 4X.

Operating conditions:

Independent of the pressure/vacuum inside the vessel;
Maximum allowable ambient temperature at the cable gland is 194°F (90°C).

Under no circumstances must this light be used for sealing purposes in a vessel port in lieu of a sight port.

Electrical information:

The Lumiglas lamp comes equipped with a 3 meter connecting cable.

Operating Voltage:

Without built-in transformer:

12 V 24 V, 120V Halogen incandescent lamp, 20W, 50W or 100W

With built-in transformer:

120 V/ 230 V Halogen incandescent lamp 12 V/ 5W
230 V Halogen incandescent lamp 12 V/ 20W

Built-in momentary push-button on/off switch:

Momentary push button on/off switches or timers are required on 50 & 100 Watt lights.

Remote momentary push-button on/off switch:

Ideal when the light cannot be activated from the sight glass location. Incorporated into an IP65 & NEMA 4, 4X enclosure. Please specify cable length.

Internal timer:

Can be activated by a built-in or remote switch. Allows hands free operation without expensive wiring.

External timer:

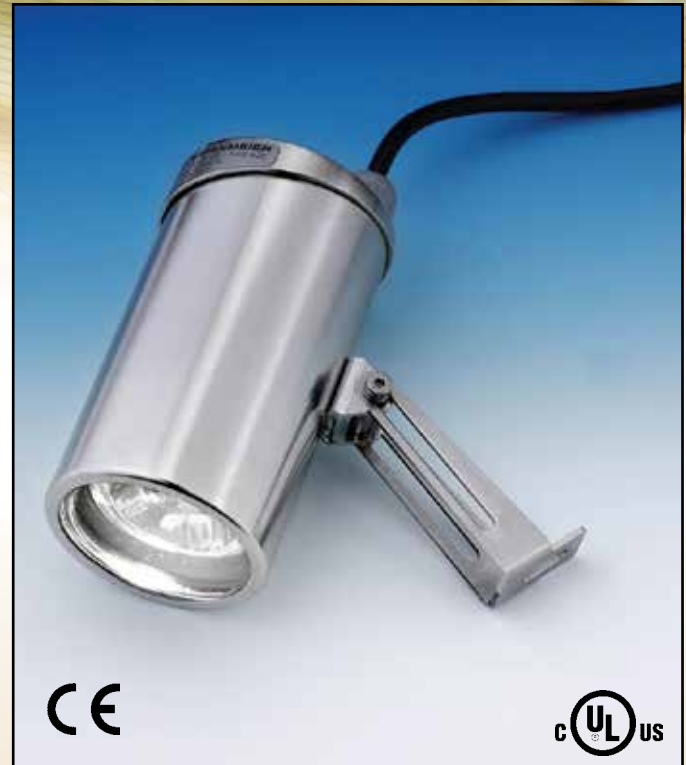
Mounted in a convenient location by the user, this IP65 & NEMA 4, 4X device allows hands free operation and longer bulb life.

Mounting bracket:

The mounting bracket and M6 screw for the lamp (pivoting hinge) is included. Adapter flange for mounting series MV weld-neck type sight port can be ordered separately.

Sanitary clamp connection:

This light is available with a sanitary clamp connection utilizing MetaClamp[®] technology. Specify a USL-35 light.

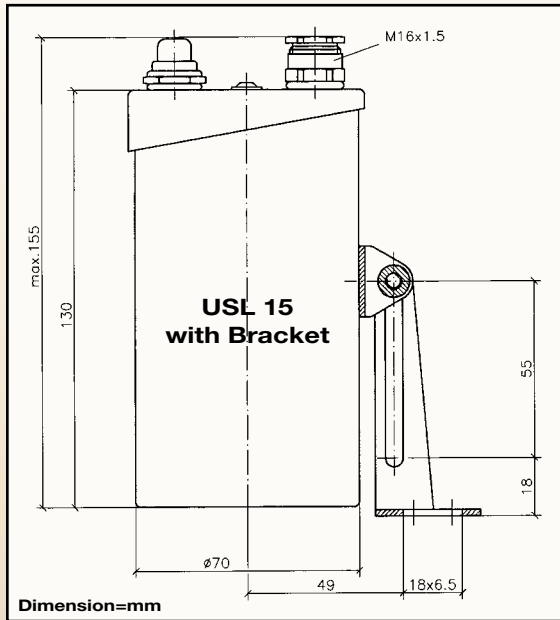


Stainless steel Lumiglas luminaire series USL 15



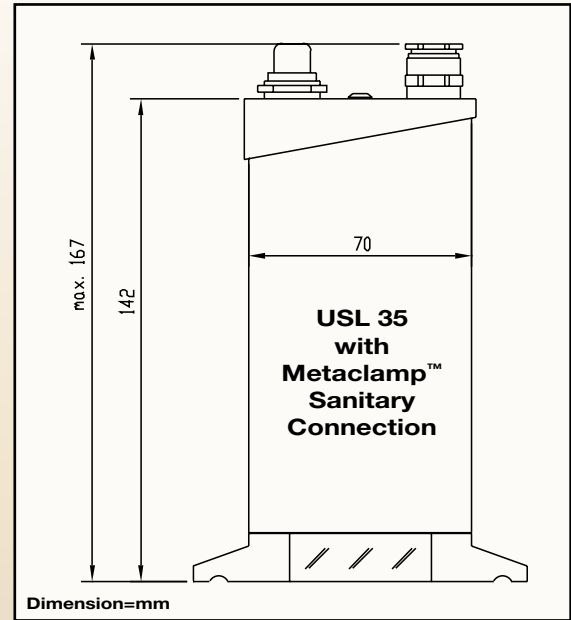
Stainless steel Lumiglas luminaire USL 15 with hinged bracket mounted onto a circular sight glass fitting series DIN 28 120

Dimensions for Lumiglas® Luminaire Stainless Steel Series USL 15 & USL 35



Parts, Construction and Materials

- Body and Cover: 316 S.S.
- Fastenings: 304 S.S. (Hinged bracket or Adapter Flange)
- Metaclamp®: Duplex Stainless Steel and borosilicate glass (Hastelloy® and other materials available)



Specifications

S.S. Lumiglas Luminaire USL 15 & USL 35							Replacement Parts		
Item	Voltage/Wattage Options	Push Button	USL 15 Model No.	USL 35 Part No.	Supply Voltage	Built-In Transformer	Halogen Lamp		
							Socket	Voltage/Power	Part No.
1	(120V/12V) 5 W	-	USL15-N5	USL35-N5	120	Yes	G4	12 V/5 W	BLB-L5-G4N
2	(230 V/12 V) 5 W	-	USL15-E5	USL35-E5	230	Yes	G4	12 V/5 W	BLB-L5-G4N
3	(12 V) 20 W	Yes	USL15-L20-S	USL35-L20-S	12	-	GY6.35	12 V/ 20 W	BLB-L20-GYN
4	(12 V) 20 W	-	USL15-L20	USL35-L20	12	-	GY6.35	12 V/20 W	BLB-L20-GYN
5	(24 V) 20 W	Yes	USL15-H20-S	USL35-H20-S	24	-	G4	24 V/20 W	BLB-H20-G4N
6	(24 V) 20 W	-	USL15-H20	USL35-H20	24	-	G4	24 V/20 W	BLB-H20-G4N
7	(120 V) 20 W	Yes	USL15-N20-S	USL35-N20-S	120	-	BA15D	120 V/20 W	BLB-N20-BA15D
8	(120 V) 20 W	-	USL15-N20	USL35-N20	120	-	BA15D	120 V/20 W	BLB-N20-BA15D
9	(230 V/12 V) 20 W	Yes	USL15-E20-S	USL35-E20-S	230	Yes	G4	12 V/20 W	BLB-L20-G4N
10	(12 V) 50 W	Yes	USL15-L50-S	USL35-L50-S	12	-	GY6.35	12 V/50 W	BLB-L50-GYN
11	(12 V) 50 W	-	USL15-L50	USL35-L50	12	-	GY6.35	12 V/50 W	BLB-L50-GYN
12	(24 V) 50 W	Yes	USL15-H50-S	USL35-H50-S	24	-	GY6.35	24 V/50 W	BLB-H50-GYN
13	(24 V) 50 W	-	USL15-H50	USL35-H50	24	-	GY6.35	24 V/50 W	BLB-H50-GYN
14	(120 V) 50 W	Yes	USL15-N50-S	USL35-N50-S	120	-	BA15D	120 V/50 W	BLB-N50-BA15D
15	(120 V) 50 W	-	USL15-N50	USL35-N50	120	-	BA15D	120 V/50 W	BLB-N50-BA15D
16	(24 V) 100 W	Yes	USL15-H100-S	USL35-H100-S	24	-	GY6.35	24 V/100 W	BLB-H100-GYN
17	(120 V) 100W	Yes	USL15-N100-S	USL35-N100-S	120	-	BA15D	120 V/100 W	BLB-N100-BA15D

Application Examples:

Luminaire Mounting Options

- Hinged Bracket (M6 Screw) Part No. 0527.008.00 (included)
- Adapter Flange Series MV Part No. 1356.007.00 (order separately)
- 1" Sanitary Clamp Connection Part No. METACLAMP 1S35 (order separately)
- 2" Sanitary Clamp Connection Part No. METACLAMP 2S35 (order separately)
- 3" Sanitary Clamp Connection Part No. METACLAMP 3S35 (order separately)
- 4" Sanitary Clamp Connection Part No. METACLAMP 4S35 (order separately)



Installed on a MetaClamp® Sanitary Clamp connection size 3".



Installed on a Series MV using Adapter Flange

LJSTAR
INCORPORATED