

## High Intensity LED Cordless Light for Portable Vessels Series FLBP-LED

ISO 9001

DATA SHEET 02-0285 11/10

### For mounting on sight glass fittings

Sight glass luminaire for universal use, 120 Lux LED output ideal either as a light/sight port combination (single-port version) or for configurations with separate sight glass and light port (dual-port version).

### The specific advantages LED technology:

- Insensitive to vibration
- Long service life and high operational safety
- Continuous operations up to about 50,000 hours (LED only)
- The optimal solution wherever fittings are difficult to access
- No heat radiation in the light aperture (cold light)
- No additional heat which is undesirable for chemical and/or biological processes

### For use with sight glass fittings

This compact cordless sight port luminaire is applicable for use with sight glass style sanitary clamp connection series MetaClamp® starting at 1".

### Applications:

The optimum solution in the pharmaceutical, biotech and food processing industries. Ideal for illuminating bioreactors, laboratory mixers, filters, pipes and other – usually sealed – vessels in operating environments that are not potentially explosive.

### Protection:

Dust and waterjet tight NEMA Types 4 & 4X

### Materials of Construction:

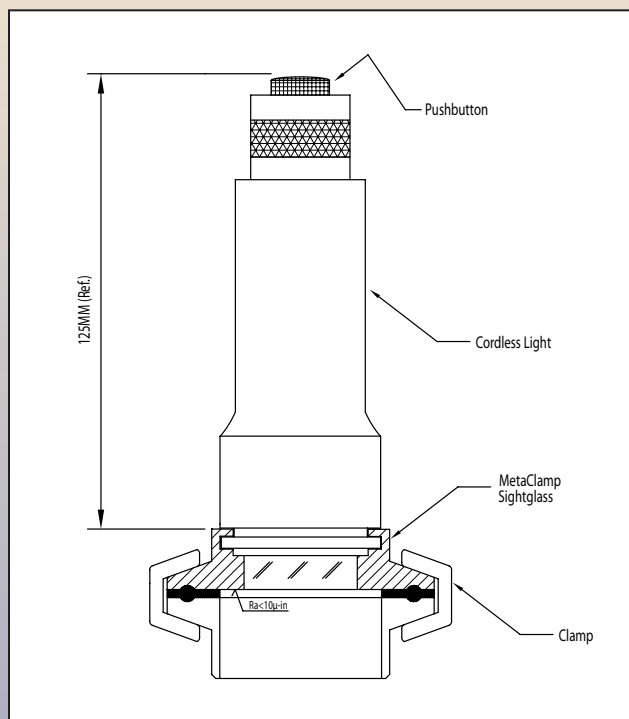
316L Stainless Steel body

### Electrical data:

Uses two 3V batteries



Cordless LED Light Series FLBP-LED for Portable Vessels



Cordless Light with MetaClamp Sanitary Connection