

Lumiglas Timer

- electronic time delay switch for Lumiglas luminaires -

This internally fitted timer unit permits direct or indirect switching of a luminaire. The luminaire is automatically switched off after a programmed time delay (5 minutes appx).

Application:

Where observation is only occasional and brief, illumination is limited to the required period - luminaires are not left switched on unintentionally. This timer reduces power consumption and heat build up and it increases halogen lamp life still further.

Combinations:

The Lumiglas Timer unit is so compact that it can be built into almost every model of the Lumiglas luminaire range, thus:

- for non Ex Hazardous Areas
 - Lumiglas Lumistar sizes 100 through 225
 - Lumiglas USL-06 and USL-07
- for Ex Hazardous Areas
 - Lumiglas USL-06 Ex, ESL-26 Ex and USL-07 Ex
 - Lumiglas luminaire Lumiflex Fiber Optic

Protection:

Corresponding to luminaire

Installation and operation:

The Lumiglas timer unit is factory installed into the luminaire, or for non Ex applications, can be retrofitted. The unit can operate in two different ways:

- Remotely: When power is switched to the luminaire from e.g. a main isolator or remote switch, the lamp is switched on and time counting for switch-off starts automatically. If power supply is interrupted for 1-2 seconds at the remote switch (after switch-off) the timer starts to count down from that moment again.
- Direct control: A blade spring touch switch carrying a square button and magnetic pad is fitted externally to the luminaire body. When the blade is at rest, the switch is off. A light touch of the spring activates an internal reed switch to turn the lamp on and the timer count-down begins. After approximately 5 minutes, the lamp switches off automatically. The lamp can be switched on again, or the ON time can be extended, by pressing the blade after the automatic switch-off or during the ON time. The timer resets itself to start its count-down again as soon as it senses a further depression of the blade.

Electrical Data:

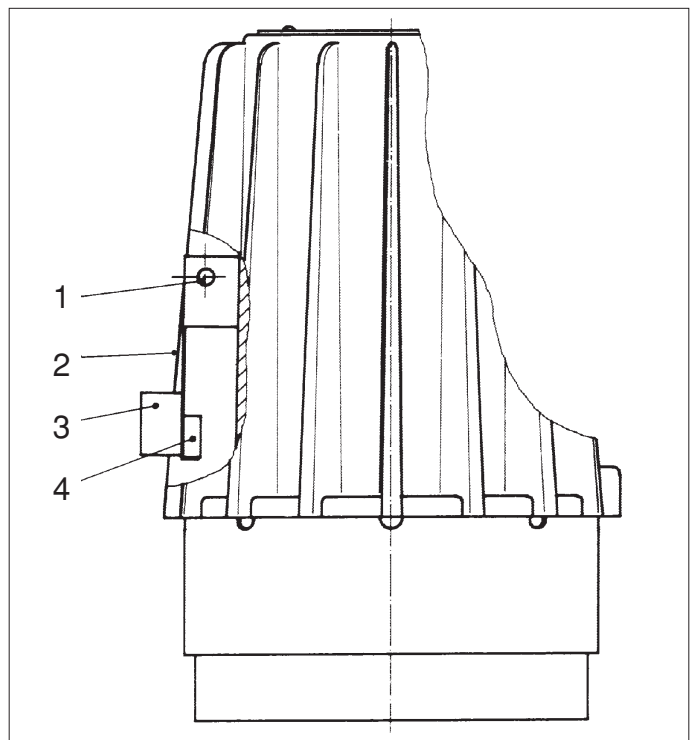
Suitable for use with 12 V, 24 V, 120 V or 230 V, maximum permitted lamp power is 50 Watt.

Ordering Information:

Please state for example: Lumiglas Luminaire Type USL 06 de EEx/230V fl with timer.



Lumiglas Time Delay Switch as optional feature for Ex as well as Non-Ex Lumiglas luminaires.



Sectional drawing: 1 = pivot pin, 2 = blade spring, 3 = button, 4 = magnet

ISO 9001/EN 29001 CERTIFICATE #: QA 04 100 32 96
GERMAN MANUFACTURER:
F.H. PAPANMEIER AWARDED QA APPROVAL CERTIFICATE



Subject to change without prior notice.