

Sightglass Wiper type SW I

- for circular sightports to DIN 28120, ANSI Bolt-On or similar

Application:

For manual cleaning of inside glass surface of sightports.

Installation

Sightglass disc with central bore hole 10.5 mm (.413") dia. (similar to DIN 7080/8902), suitable for sightglass assemblies from a nominal bore DN 50, 2" and greater.

Operating Conditions:

The wiper operates vacuum tight, and pressure tight to min. 15 psi, and, depending on the size of the sightglass disc, up to 90 psi. The max permissible operating temperature is 220°C, depending on the type of glass used.

Possible Combinations:

Combination is possible with LUMIGLAS luminaires installed on the sightglass fittings. Depending on the luminaire type, wiper SW I can be combined with:

- Lumistar from viewing diameter 5" (size DN 100 Model DIN 28120)
 - USL 01 from viewing diameter 3" (size DN 50)
 - USL 13 from viewing diameter 4" (size DN 80)
- (see table on reverse side for other combinations).

Certificates/Testing:

Certificates of the state material testing authority of Nordrhein-Westfalen, Dortmund, are available.

Assembly

- Item 1 T-Grip (optional: ratchet handle)
- Item 2 locating pins
- Item 3 spacer collar
- Item 4 spacer collar
- Item 5 compression spring
- Item 6 bush
- Item 7 glass disc
- Item 8 gasket
- Item 9 O-ring seal
- Item 10 flanged bushing
- Item 11 wiper spindle
- Item 12 O-ring seals
- Item 13 bearing sleeve
- Item 14 wiper blade inserts
- Item 15 wiper blade holder
- Item 16 locating pin

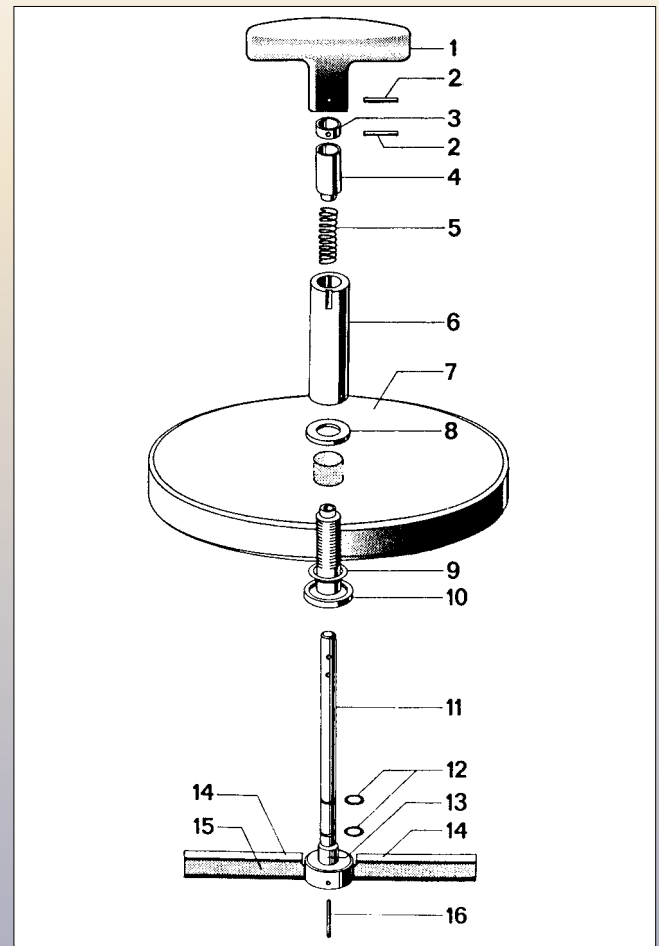
All wetted metal parts of the wiper are stainless steel.

Fitting and Assembly Instructions:

If the wiper is ordered separately, i.e. not installed into a sightglass disc by the manufacturer, it comes with assembly and fitting instructions.

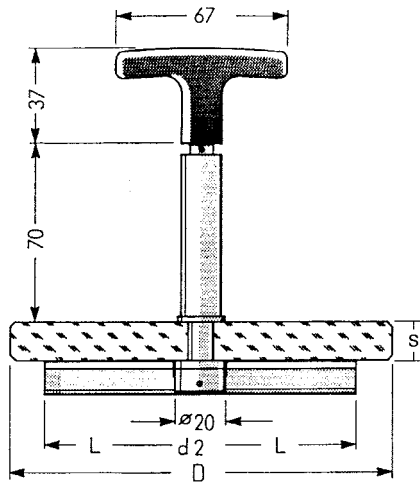


Sightglass wiper type SW I built into a sightglass disc



Exploded view of components

Dimensions for Port Wipers type SW I:



Lumiglas wiper SW 1, fitted into sight glass assembly DIN 28120



Wiper SW 1 into a DIN 28120 sight port, combined with a Lumistar luminaire

Size		3	4	5*	6*	7*	8*	9	specials sizes		
Nominal diameter	D N	50	80	100	125	150	200	250	300	350	400
Viewing diameter	d 1	80	100	125	150	175	225				
Sightglass disc	D**	100 (3.94")	125 (4.92")	150 (5.91")	175 (6.89")	200 (7.87")	250 (9.84")	on request			
	s	15	15	15/20	15/20	15/20	15/25				
	PN max...bar	6	6	4/6	4/6	2/4	1/2				
Wiper blade	d 2	77	97	122	147	172	222	depending on wiper blade and inside diameter of the fitting			
Part number 722300 (replace with the respective figures, e.g. 065)		.062.	.063.	.064.	.065.	.066.	.067.				

All dimensions in mm unless stated otherwise.
Subject to change without prior notice
Inch dimensions approx.

* Combination with Lumiglas luminaire possible; Combination with Lumistar 225, SLK and USL styles only with ratchet drive/lever version
** Use mm dimensions for accuracy

Spares

Wiperblades	for sizes	L	Silicone rubber Part number	PTFE Part number
	3	28.5	9468.062.00	9468.072.00
	4	38.5	9468.063.00	9468.073.00
	5	51	9468.064.00	9468.074.00
	6	63.5	9468.065.00	9468.075.00
	7	76	9468.066.00	9468.076.00
	8	101	9468.067.00	9468.077.00
	9 to 12	depending on glass diameter and inside diameter of the fittings		
Seals	for sizes	diam. x s	part number	
Viton O-ring seal (no. 12 overleaf)	1 to 6	4 x 1	0862.019.00	
Viton O-ring seal (no. 9 overleaf)	1 to 6	12.37 x 2.62	0862.024.00	

Ordering Information:

e.g. LUMIGLAS - Sightglass wiper type SW I, size 3, wiperblade PTFE

If a sightglass disc is needed as well, please specify the following data:

- Borosilicate or soda lime glass
- Sightglass disc size (diameter x s)
- nominal fittings diameter DN or ANSI Flange size
- effective operating pressure for the vessel
- for wiper blades sizes 9 and larger, please specify the inside diameter of the fitting

Note:

A sightglass disc is not automatically included in the supply. Please order sightglass discs separately.

LJSTAR
INCORPORATED